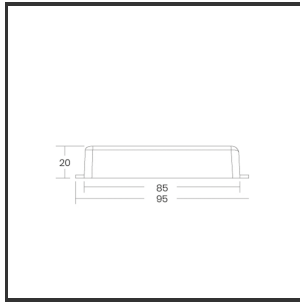


# DIM-R



|                     |         |                  |           |
|---------------------|---------|------------------|-----------|
| # Channels          | 1       | Dimensions       | 82x33x20  |
| # Zones             | 1       | Frequency        | 888mH     |
| Max. connected Load | 100W    | IP               | IP33      |
| Controllability     | RF      | Input Voltage    | 12-36VDC  |
| Controller Housing  | Compact | Color            | White     |
| Dim                 | PWM     | Material Housing | Kunststof |
|                     |         | Output Current   | 1x8A      |

## Product Description

This receiver ensures that single-colour LED strips can be dimmed via an RF signal. A PWM signal is converted and drives the LED strips up to 100W. Matches the Dim-T, MD-T.

Reference : 000028357