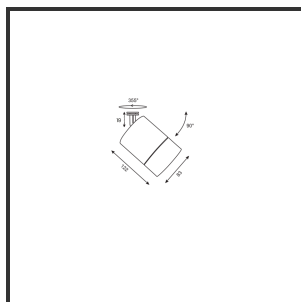


# OKKO 10

9005 9005 2700K/CRI90 23° Dali push



Beamangle	23°	Input current	500mA
CIE Flux Codes	96 99 100 100 100	IP	IP33
Colour Deviation (SDCM)	3 sdcM	Color	RAL9005
Colour Temperature	2700K	Color 2	RAL9005
Max. connected Load	10W	Led type	COB
Connected Voltage	220-240V	Lumen Maintenance	L80B50 bij 100.000
CRI	90	Lumen/W	135lm/W
Dim	Dali push	Luminous flux of luminaire	1100lm
Dimensions	Ø83x122	Material Housing	Aluminium
Energy Efficiency Class	D	Material Lens/Reflector/Diffusor	Aluminium
Forward Voltage	33V	Mounting Type	in 3fase rail
Frequency	50Hz	PF	0,9
IK	06	UGR	19

Reference : 000029812

## Product Description

The Okko is an efficiency monster in every sense of the word. Its versatility translates in many ways. The mounting method, the variety of colors and the modularity within the different lens rings are its greatest assets. On a technical level it doesn't drop a single stitch, its ingenious design makes it possible to control from 10 to 30W (1000-3000lm), so you can use the same fixture for many different purposes which forms a nice uniform line in your lighting concept. With the high quality Citizen led chip (CLU03j), standard CRI +90 and the Unique aluminum reflectors in the angles 23°, 36° and 60° it proves to excel far from all its competitors. This combined with Signify/Tridonic LED drivers and high-quality powder-coated components in both standard and on-demand colors make endless combinations possible. In addition, it also carries flexibility as a high priority. It is available in any RAL color, light color or power on request.