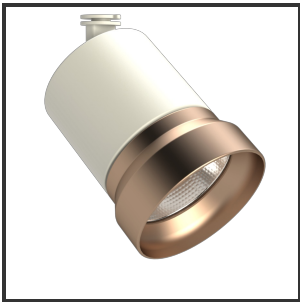


OQQU 20

9010 Copper 2700K/CRI90 23° Dali push



| | | | |
|-------------------------|-------------------|----------------------------------|-------------------|
| Beamangle | 23° | Input current | 500mA |
| CIE Flux Codes | 96 99 100 100 100 | IP | IP33 |
| Colour Deviation (SDCM) | 3 sdcn | Color | RAL9010 |
| Colour Temperature | 2700K | Color 2 | Copper |
| Max. connected Load | 20W | Led type | COB |
| Connected Voltage | 220-240V | Lumen Maintenance | L80B10 bij 50.000 |
| CRI | 90 | Lumen/W | 135lm/W |
| Dim | Dali push | Luminous flux of luminaire | 2000lm |
| Dimensions | Ø93x122 | Material Housing | Aluminium |
| Energy Efficiency Class | D | Material Lens/Reflector/Diffusor | Aluminium |
| Forward Voltage | 33V | Mounting Type | in 3fase rail |
| Frequency | 50Hz | PF | 0,9 |
| IK | 06 | UGR | 19 |

Reference : 000030934

Product Description

The Oqqo is an efficiency monster in every sense of the word. Its versatility translates in many ways. The mounting method, the variety of colors and the modularity within the different lens rings are its greatest assets. On a technical level it doesn't drop a single stitch, its ingenious design makes it possible to control from 10 to 30W (1000-3000lm), so you can use the same fixture for many different purposes which forms a nice uniform line in your lighting concept. With the High quality Citizen led chip (CLU03j), standard CRI +90 and the Unique aluminum reflectors in the angles 23°, 36° and 60° it proves to excel far from all its competitors. This combined with Signify/Tridonic LED drivers and high quality powder coated components in both standard and on-demand colors make endless pairings available. In addition, it also carries Flexibility highly. It is available in any RAL color, light color or power on demand.