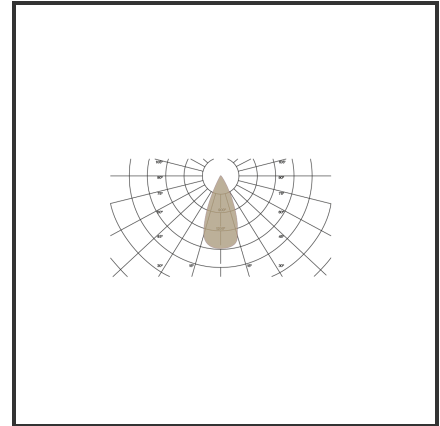
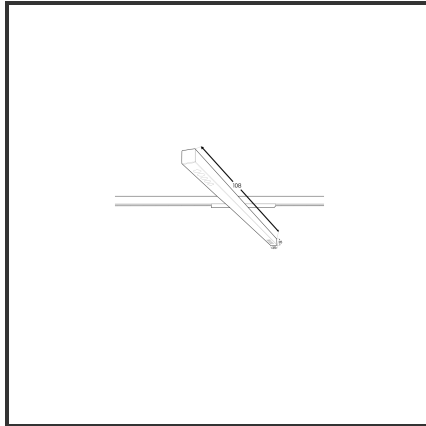
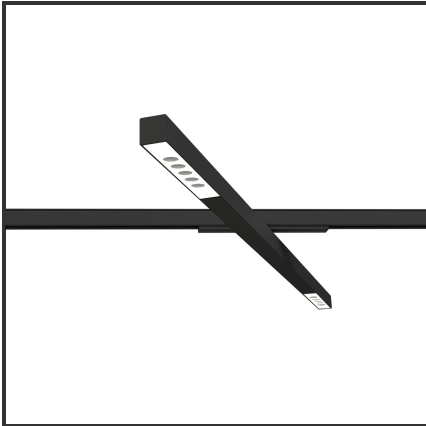




HELI OCULI 108

9005 9016 3000K/CRI80 45° Dali



Beamangle	45°	IK	IK07
CIE Flux Codes	49 80 95 99 100	IP	IP40
CRI	80	Kleur	RAL9005
Colour Deviation (SDCM)	3 sdcM	Kleur 2	RAL9016
Colour Temperature	3000K	Led type	SMD
Connected Load	10W	Lumen Maintenance	L80B10 bij 50.000
Connected Voltage	220-240V	Lumen/W	100lm/W
Dim	Dali	Luminous flux of luminaire	1000lm
Dimensions	1080x35x35	Mounting Type	Opbouw
Energy Efficiency Class	A++	PF	0,95
Frequency	50-60Hz	UGR	<16

Product Description

Reference : 000000752